



AIR PURIFICATION SOLUTIONS

Keep Your Spaces Safer and Food Fresher



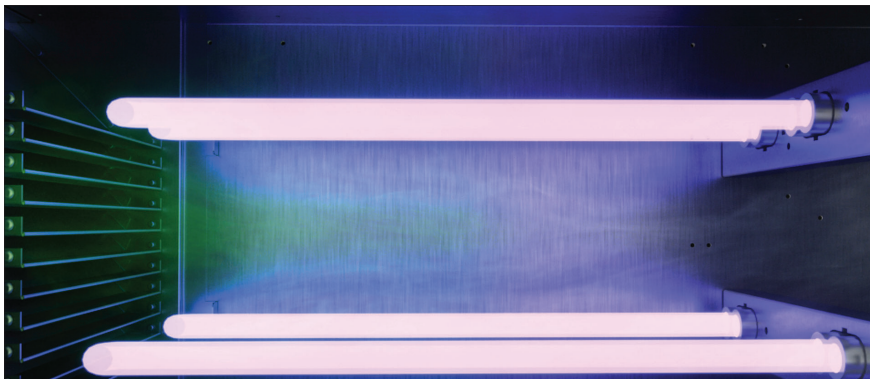
Destroys Airborne Aerosols

Bluezone[®] by Middleby Model 450 makes indoor spaces safe again with patented, ultraviolet air cleaning technology that kills up to 99.9995% of viruses in the air, including SARS-CoV-2 (corona-virus). Air is pulled into a chamber, is scrubbed of contaminants, and purified air is returned to the space. The CDC and FDA recommend this type of technology for being effective against airborne transmission.

There are other types of air purification units available, but this innovative UV technology is ideal for occupied spaces. First, and most important, units are easily installed and don't require expensive HVAC modifications, hazardous filter disposal or dangerous chemicals. When compared against Bluezone by Middleby other air cleaning technologies simply can't achieve our level of safety and performance.

After the initial investment of a Bluezone unit, the only requirement is to change out the bulb roughly once a year, a task easily managed by the facilities staff, requiring only 15 minutes.

PEEK INSIDE THE CHAMBER



UV-C Germicidal Lamps are used extensively for disinfection of surfaces in laboratories and food-processing industries, and for disinfecting water supplies. Bluezone destroys the RNA of the virus at the 254nm wavelength.

**Restaurants • Healthcare • Hospitality • Education
Offices • Retail • Government • Entertainment Venues**



Extends the Shelf Life of Perishables

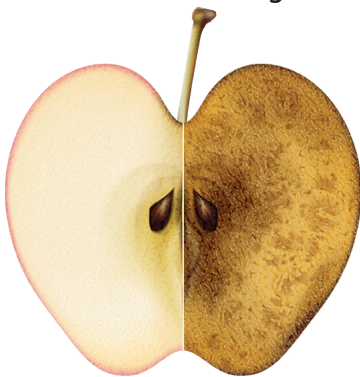
Bluezone food preservation technology is used commercially to extend the shelf life of fresh fruits and vegetables in transport containers, cold storage rooms, walk-in refrigerators, reach-in refrigerators and general food storage areas along the global food supply chain of storage, distribution, transport, and retail sale. In this application, Bluezone technology removes the decay-producing chemical and microbial agents from the air without introducing any chemicals or gases to the fresh fruits and vegetables storage space.



By removing ethylene fruits and vegetables maintain their color, texture, and taste. Without Bluezone technology in place, extended storage of mixed loads of fruits and vegetables can lead to excessive ripening, russet spotting, bitterness, softness, rotting, or toughening of the produce.

Our ultraviolet-enhanced oxidation technology is a breakthrough approach to food preservation; instead of capturing and concentrating airborne contaminants in a particle filter or activated carbon, Bluezone kills or converts chemical and biological impurities.

In other words, dangerous microbes such as powdery mildew and botrytis are killed,



and chemicals are broken down so that the air circulated through the Bluezone comes out clean and fresh. Bluezone Model 2400 was developed specifically for the destruction of ethylene to extend the shelf life of produce in U.S. Army fresh fruit and vegetable (FF&V) shipping containers sent to troops overseas.

Bluezone works by drawing air into a self-contained reaction chamber and killing contaminants with ultraviolet enhanced oxidation. To achieve maximum kill-rate, Bluezone attacks airborne contaminants. Ethylene is converted to H₂O and CO₂ via an oxidation process. Oxidation and ultraviolet irradiation happen completely inside the reaction chamber, which is engineered to address the specific microbial and chemical contaminants in refrigerated storage. Bluezone is CARB certified for ozone emissions: ozone is kept inside the Bluezone reaction chamber.

Safe, Effective and Proven

Model 450


Virus-Mitigation Air Purifier for Occupied Spaces



Item# 10-BZ-450VK

Bluezone technology kills airborne pathogens like corona-virus with UV-C germicidal lamps. Ultraviolet lamps have a long history of sanitizing surfaces in laboratories and food-processing industries and also for disinfecting water supplies. Since the UV-C lamps are locked inside the Bluezone chamber it is safe to operate 24/7.

- (4) UV-C bulbs inactivate airborne viruses and disinfects air
- Treats up to 9,000 ft³ (255 m³)
- 150 CFM flow rate circulates the air quickly and continuously kills virus
- Oxidation catalysts destroys VOCs and unpleasant odors
- Destroys airborne viruses including corona-virus in dining and working spaces
- Protect employees, customers and guests
- Plug & play

 120 VAC, 1-phase, 3 amps (60hz fan)
240 VAC, 1-phase, 1.5 amps (50hz fan)

Indicate at time of order

Bulb Replacement Kit:

Item# 12-BZ-05-0004

UV-C Bulb Replacement Kit For Model 450 (4 Bulbs)

Bulb life up to 8,800 hours or one year of continuous operation



BLUEZONE
BY **MIDDLEBY**

Model 450 Installation Options

Ceiling Mount Kit

Item# 11-BZ-CM450

- For drop ceiling installation
- Replaces 2x4 ceiling panel
- LED logo confirms operation
- Air baffle equipped with sound deadening foam
- Service cover opens for maintenance access
- Color: White



Floor Stands



Item# 11-BZ-1006 / Tower



Item# 11-BZ-1005 / Lectern



Item# 11-BZ-1007 / 60" Credenza
Item# 11-BZ-1008 / 48" Credenza

- Conceals unit
- Optimizes airflow
- LED logo confirms operation
- Built-in muffler
- Available in 10 finishes

Wall Mounted Shelves

Item# 11-BZ-9002

Wall Mounted Shelf Enclosure

- Conceals unit
- Optimizes airflow
- LED logo confirms operation
- Built-in muffler
- Available in 10 finishes



Item# 11-BZ-9090

Stainless Steel Shelf

- Muffler available to diffuse noise for open shelf installations (Item# 12-BZ-M174)



Model 2400

For Food Preservation in Refrigerated Spaces



Item# 10-BZ-2400FP

Bluezone Model 2400 is designed to keep refrigeration environments free of damaging contaminants and extend the shelf life of produce. Ultraviolet enhanced oxidation destroys contaminants such as ethylene, mold, bacteria and odors. Eliminates 99.9% of mold and bacteria as well as ethylene gas in walk-in refrigerators to extend shelf life and reduce waste.

- (4) Ozone generating UV bulbs use a combination of high levels of ozone and UV to oxidize and irradiate airborne contaminants
- Treats up to 15,000 ft³ (430 m³)
- 30 CFM flow rate
- Display screen indicates status, including bulb life counter
- Plug & play



Earned a U.S. Army Achievement Award

- ⚡ 120 VAC, 1-phase, 3 amps
- 240 VAC, 1-phase, 1.5 amps (use adapter)

Bulb Replacement Kit:

Item# 12-BZ-05-0002

UV-C Bulb Replacement Kit For Model 2400 (4 Bulbs)

Bulb life up to 8,800 hours or one year of continuous operation



Model 2400 Installation Options

Wall Mounted Shelf

Item# 11-BZ-9090
Stainless Steel Shelf

- NSF for commercial use
- 24" long, 18" deep, 1.5" shelf thickness, 17.5" overall height

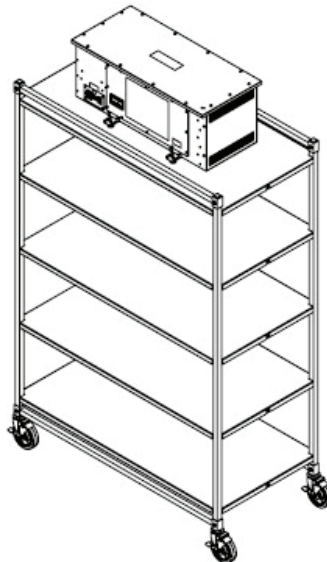


Rack Shelving



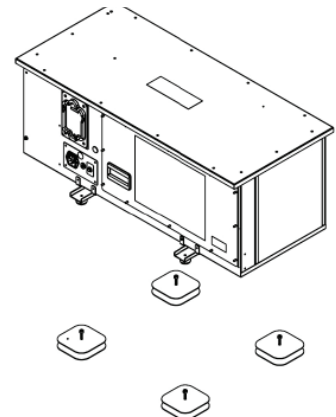
Item# 11-BZ-1019
Aluminum Rack with Top Mount Shelf

- 24" x 48" aluminum construction
- 4 swivel casters with lock



Item# 11-BZ-1018
Metro Shelving Mount Kit

- 4 mounting plates and hardware
- Stainless steel construction
- Attach unit to existing metro shelving



Model 300

For Viral Kill (Restrooms) or Food Preservation (Refrigerated Storage)



Item# 10-BZ-300FP

Bluezone Model 300 is a hybrid model for killing viruses in small spaces or keeping refrigeration environments free of damaging contaminants to extend the shelf life of produce and eliminates flavor transfer.

(2) UV-C bulbs inactivate airborne viruses and disinfects air

- Treats up to 4,000 ft³ (113 m³)
- 30 CFM flow rate
- Utilizes a combination of self-contained ultraviolet light and room temperature oxidation to destroy viruses and Volatile Organic Compounds (VOCs)
- Display screen indicates status, including bulb life counter
- Plug & play



120 VAC, 1-phase, 1.5 amps
240 VAC, 1-phase, 0.8 amps (use adapter)

Bulb Replacement Kit:

Item# 12-BZ-05-0003

UV-C Bulb Replacement Kit For Model 300 (2 Bulbs)

Bulb life up to 8,800 hours or one year of continuous operation



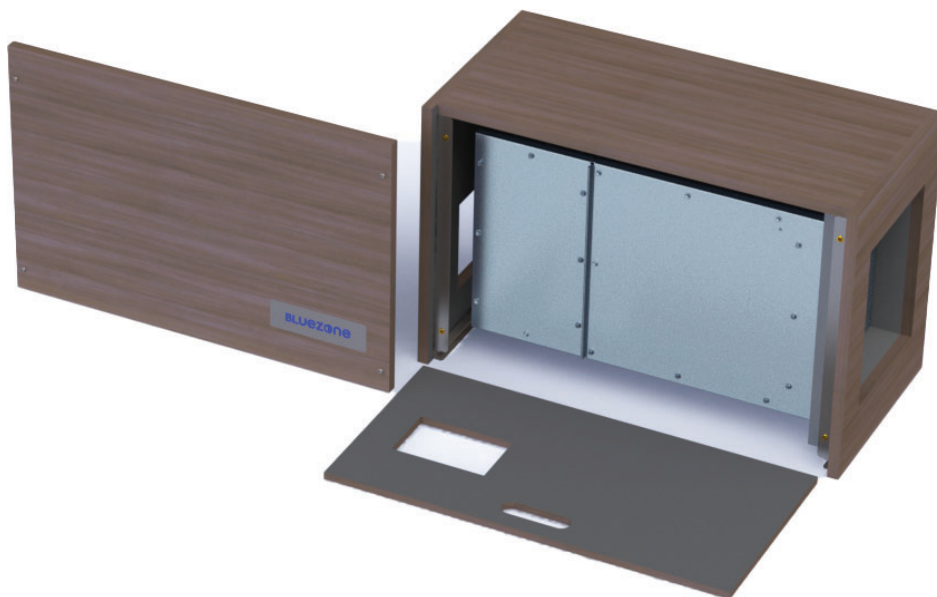
BLUEZONE
BY **MIDDLEBY**

Model 300 Installation Options

Wall Mounted Shelf for Restrooms

Item# 11-BZ-9001
Wall Mounted Shelf Enclosure

- Conceals unit
- Optimizes airflow
- LED logo confirms operation
- Built-in muffler
- Available in 10 finishes



Wall Mounted Shelf for Walk-in Cooler

Item# 11-BZ-9090
Stainless Steel Shelf

- NSF for commercial use
- 24" long
- 18" deep
- 1.5" shelf thickness
- 17.5" overall height





SCIENCE THAT KEEPS YOUR SPACE SAFER AND FOOD FRESHER

Bluezone® by Middleby offers a patented solution to kill viruses, bacteria, mold, and other contaminants in indoor spaces. Tested and proven by the U.S. Military, it utilizes ultraviolet-enhanced oxidation technology to purify air instead of capturing and concentrating airborne contaminants in a particle filter or activated carbon. Applications include indoor dining and food preservation in walk-in refrigerators or coolers. Bluezone does not rely on mechanical filtration, instead Bluezone scientists have maximized the flow rates and residence time through the Bluezone unit in order to get kill rates between 99.9% and 99.9995% depending on contaminant and unit type.



Distributed by Evo America, LLC
sales@evoamerica.com
503-626-1802
bluezone.com